

**HTC SERIES III**Dual Voltage  
Enabled Controller ®

---

**HTC-5****2 Heat & 2 Cool TEMPERATURE  
CONTROLLER with LED ROOM  
TEMPERATURE DISPLAY**

*The **HTC-5** temperature controller is primarily designed for the control of 2 Stage Heat and 2 Stage Cool Air-conditioning units.*

*All output relays are voltage free, permitting use on either 240 V or 24 Volt circuitry.*


*Stage switch on points are adjustable with their ON/OFF status displayed via LED indicators.*

*The **HTC-5** also incorporates a random time delay on the fan relay output enabling multiple A/C Unit startups using only one Time Clock or System Start Switch.*

---

**Features**

---

- Australian made and designed.
- Power Supply can be either 24v or 240v A.C  ®
- 10 AMP (resistive) Voltage free relay contacts.
- Large LED Temperature Display with 0.1 Degree Increments.
- Upgradeable via Plug in Auxiliary Cards. (Many options available.)
- Random time delay for Fan Relay Start.
- DIP Switch configurable for HEAT/COOL or COMP/RV type wiring.
- Wide compatibility to all packaged AC units and Heat Pumps.

HTC5.P1.08052008

**HEAD OFFICE:**

Unit 7, 54 Howleys Road,  
Notting Hill, Vic. 3168  
Phone: (03) 9562 7888  
Fax: (03) 9562 7835

Web Site Address

**www.hevac.com.au**

Email Contacts

SALES: [sales@hevac.com.au](mailto:sales@hevac.com.au)TECHNICAL: [technical@hevac.com.au](mailto:technical@hevac.com.au)

## HTC-5 Technical Specifications and Terminal Designations HEVAC CONTROLS

<i>Power supply requirements</i>	<i>24VAC or 240VAC</i>
<i>Power consumption on 240 volts</i>	<i>7 VA</i>
<i>Power consumption on 24 volts</i>	<i>1 VA</i>
<i>Sensor Input</i>	<i>NTC 4000 Ohms at 25 Degrees Centigrade</i>
<i>Relay outputs</i>	<i>240VAC 10 amp resistive or 3 amp inductive</i>
<i>Temperature range (Factory Set to 22oC)</i>	<i>16 to 28 Degrees Centigrade</i>
<i>Switching differential for STAGE 1 (Switching Span)</i>	<i>0.3 Degrees Centigrade (NON-Adjustable)</i>
<i>Switching differential for STAGE 2</i>	<i>0.7 Degrees Centigrade (NON-Adjustable)</i>
<i>Stage dead zone adjustment range</i>	<i>0.5 to 2.5 Degrees Celsius per Stage</i>
<i>Stage dead zone (Factory Settings)</i>	<i>1.0 oC per Stage</i>
<i>Relay Output indication</i>	<i>Green LED for Cooling (2 Off) Red LED for Heating (2 Off)</i>
<i>Room temperature LED Indication</i>	<i>10mm High RED 3 digit 7 segment display</i>
<i>Room temperature LED Display Resolution</i>	<i>0.1 Degrees Centigrade Increments</i>
<i>Plug in Auxiliary Card Options</i>	<i>Refer to data sheet HAX53 for specific details</i>
<i>Dip Switch Configurations (Factory Default)</i>	<i>Dip Switch 1 &amp; 2 set to YES = Controller is configured for HEAT/COOL wiring. Dip Switch 3 set to NO = Remote Set point Feature is turned OFF</i>
<i>Dip Switch Configurations for COMPRESSOR/RV</i>	<i>Dip Switch 1 &amp; 2 set to NO = Controller is configured for COMPRESSOR/RV wiring</i>
<i>Dip Switch Configurations for REMOTE SETPOINT</i>	<i>Dip Switch 3 set to YES = Remote Set point Feature is turned ON</i>
<i>Fan Relay random time delay (Factory Preset)</i>	<i>1 to 5 seconds (Not user adjustable)</i>
<i>Mounting method</i>	<i>35mm DIN rail (Not supplied)</i>

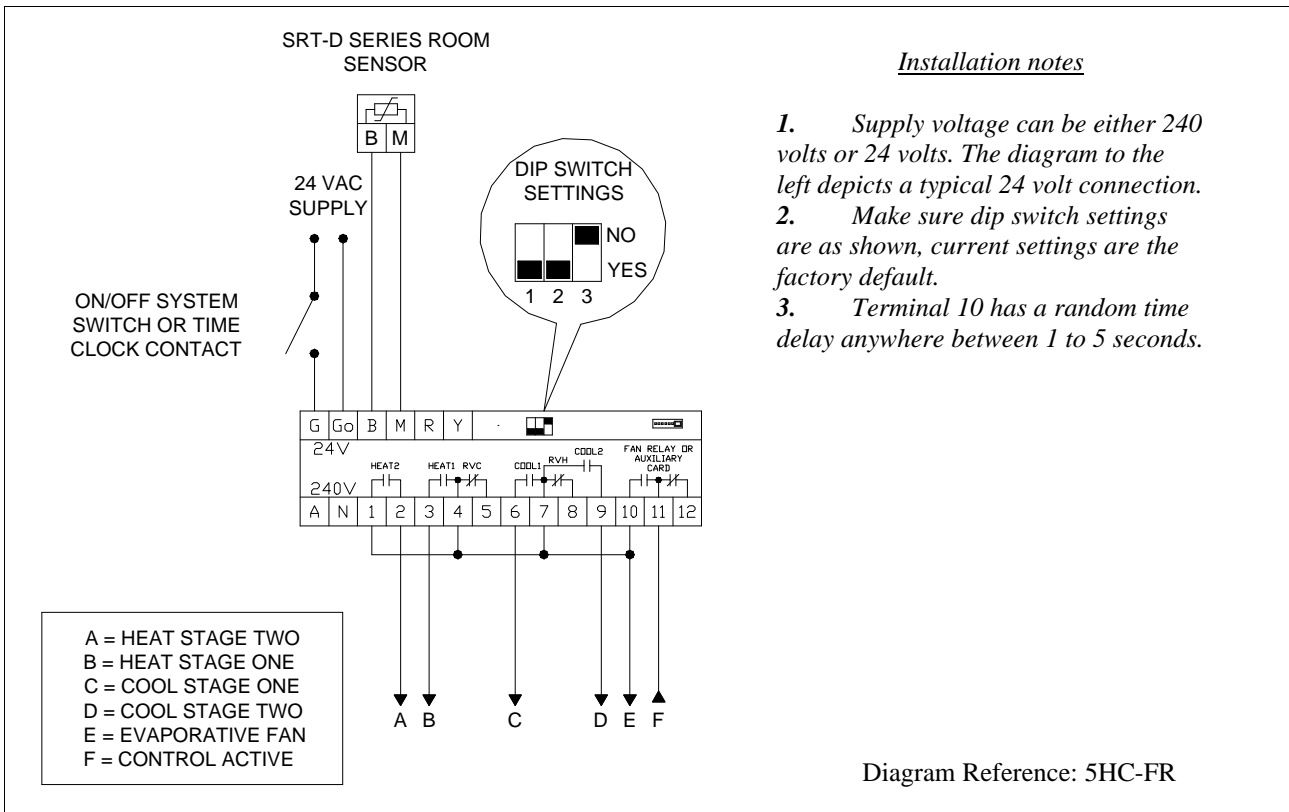
### Terminal Designations

<b>G</b>	24 VOLT AC SUPPLY ACTIVE	<b>3</b>	HEATING STAGE 1 OUTPUT <b>OR</b> R/V FOR HEAT
<b>Go</b>	24 VOLT AC SUPPLY GROUND REFERENCE	<b>4</b>	(HEATING STAGE 1 & R/V FOR COOL) COMMON
<b>B</b>	SENSOR INPUT	<b>5</b>	REVERSING VALVE FOR COOLING OUTPUT
<b>M</b>	SENSOR INPUT COMMON	<b>6</b>	COOLING STAGE 1 OUTPUT
<b>R</b>	REMOTE SET POINT SHIFT	<b>7</b>	(COOLING STAGE 1 & 2 & R/V FOR HEAT) COMMON
<b>Y</b>	Y SIGNAL OUTPUT	<b>8</b>	REVERSING VALVE FOR HEATING OUTPUT
<b>A</b>	240 VOLT AC SUPPLY (ACTIVE)	<b>9</b>	COOLING STAGE 2 OUTPUT
<b>N</b>	240 VOLT AC SUPPLY (NEUTRAL)	<b>10</b>	FAN RELAY <b>OR</b> AUXILIARY CARD NORMALLY OPEN
<b>1</b>	HEAT STAGE 2 COMMON	<b>11</b>	FAN RELAY <b>OR</b> AUXILIARY CARD COMMON
<b>2</b>	HEATING STAGE 2 OUTPUT	<b>12</b>	FAN RELAY <b>OR</b> AUXILIARY CARD NORMALLY CLOSED

HTC5.P2.08052008

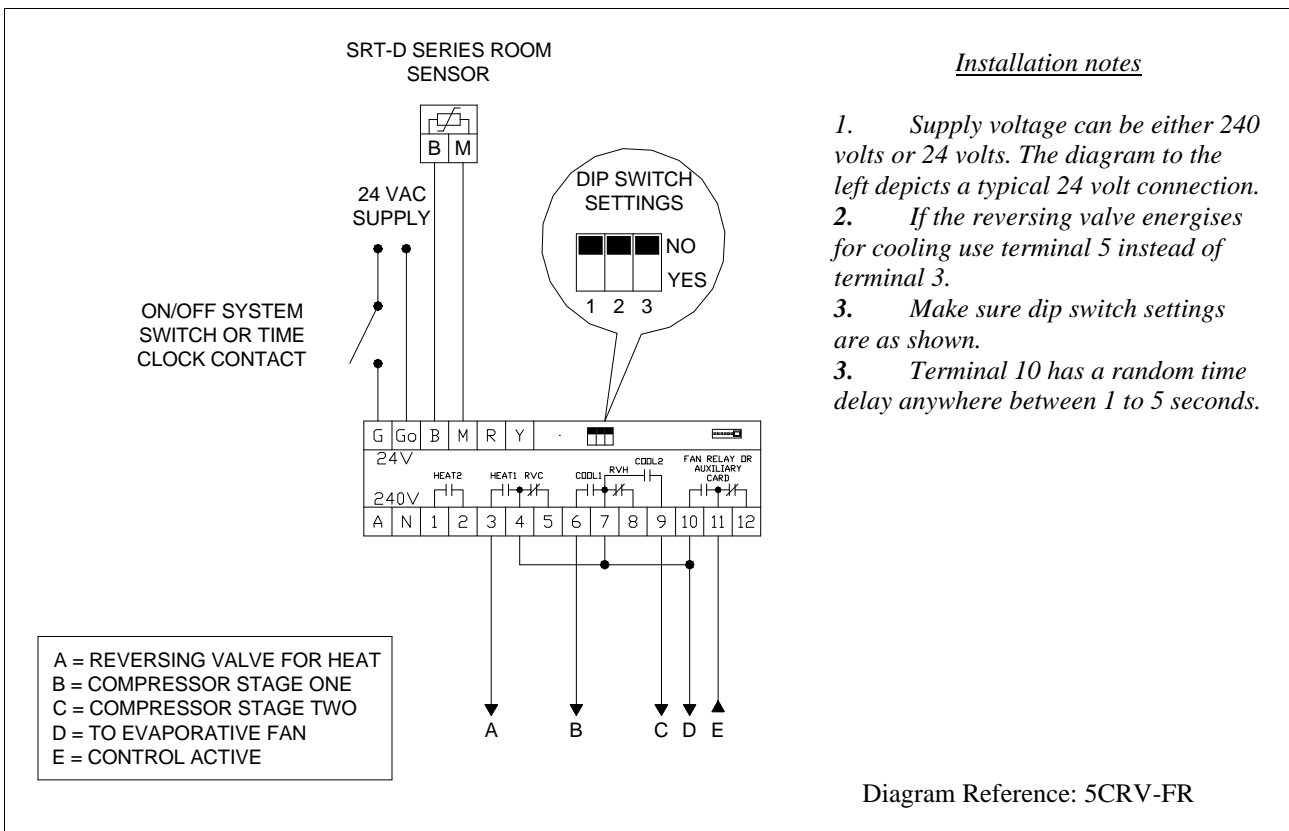
Heat/Cool Type A/C Units utilizing the Internal Fan Relay

DEFAULT DRAWING



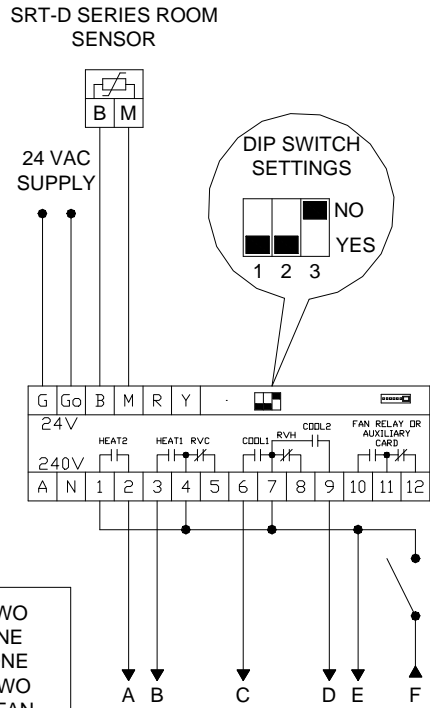
Compressor Reversing Valve Type A/C Units utilizing the Internal Fan Relay

OPTION ONE



**Heat/Cool Type A/C Units without using Internal Fan Relay**

OPTION TWO



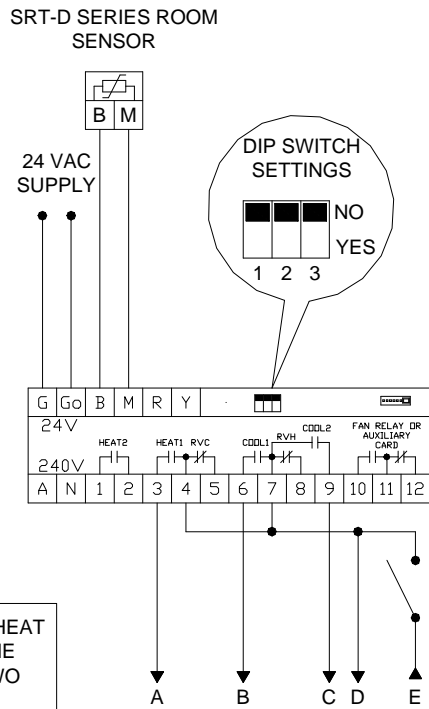
Installation notes

1. Supply voltage can be either 240 volts or 24 volts. The diagram to the left depicts a typical 24 volt connection.
2. Make sure dip switch settings are as shown, current settings are the factory default.

Diagram Reference: 5HC

**Compressor Reversing Valve Type A/C Units without using the Internal Fan Relay**

OPTION THREE



Installation notes

1. Supply voltage can be either 240 volts or 24 volts. The diagram to the left depicts a typical 24 volt connection.
2. If the reversing valve energises for cooling use terminal 5 instead of terminal 3.
3. Make sure dip switch settings are as shown.

Diagram Reference: 5CRV

**Connecting a sensor with a Remote Set point Shift**

**SRT-DSP ADJUSTABLE ROOM SENSOR**

DIP SWITCH SETTINGS  
1 2 3  
NO YES

*Installation notes*

1. *DIP SWITCH 3 must be set to YES.*
2. *The remaining DIP SWITCH Settings do not need to be altered.*
3. *The controller set point must be set to 22 Degrees.*

Diagram Reference: RSP

**Connecting a Plug in Auxiliary Card**

**SRT-D SERIES ROOM SENSOR**

REMOVE THIS JUMPER  
AUXILIARY BOARD PLUG

*Installation notes*

1. *Remove power from the controller before connecting the Auxiliary Card.*
2. *Remove the shorting jumper as shown in the diagram.*
3. *Plug in the new Auxiliary card and secure with the screw provided.*
4. *Follow the Instructions provided with the Auxiliary Card for further information.*
5. *When using an ON/OFF type Auxiliary Card the fan relay output Terminals 10,11 & 12 are now used by the Card.*

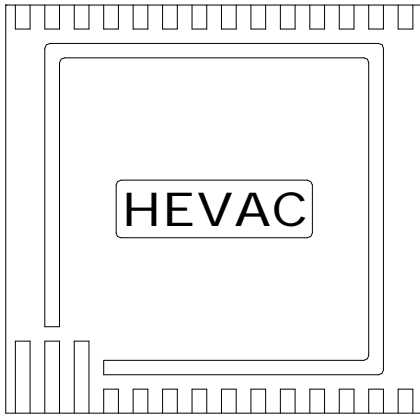
**Dimensional Drawings**

All Dimensions are in millimetres.

# SRT-D

Wall Mount Room Temperature Sensor (Non-Adjustable)

HEVAC CONTROLS



The **SRT-D** is a wall mount room temperature sensor and is suitable for use with all the **DIGITAL HTC** series range of temperature controllers. The sensor is non-adjustable, setpoint changes can only be made back at the **HTC** Controller.

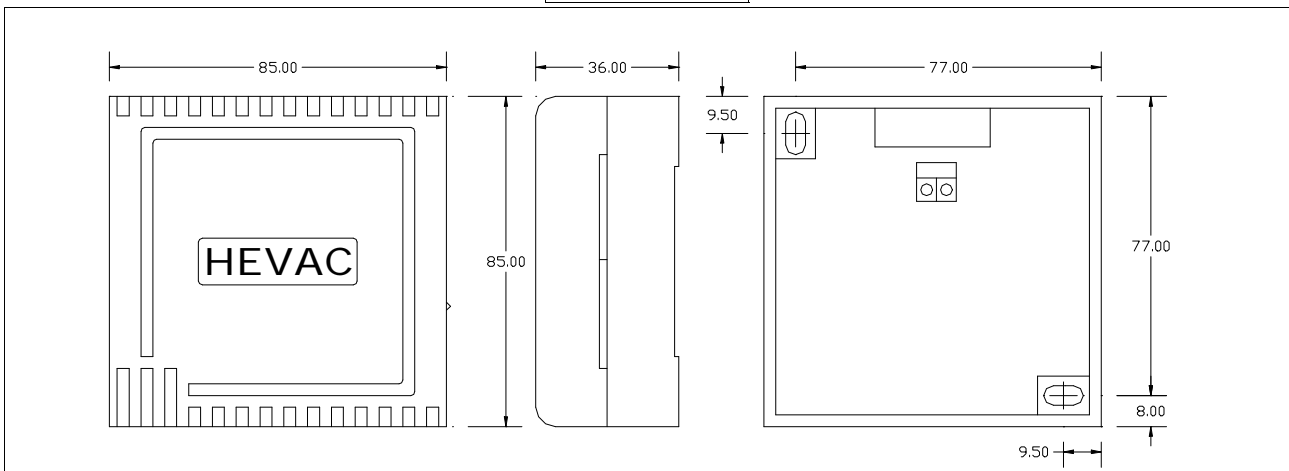
Constructed from high impact ABS plastic, the housing is specifically designed with sensor sensitivity in mind making the **SRT-D** very responsive even in low airflow situations.

Cable entry is available from the rear with side entry knockouts for cable duct on three sides.

## Technical Specifications

Control range	8 to 33 Degrees Centigrade
Time constant	3 Minutes
Thermistor characteristics	NTC 4000 ohms at 25 Degrees Centigrade
Wiring Considerations	Screened cable is recommended, earthed at the controller end only
Housing Colour	Cream
Enclosure	IP 31
Measuring Accuracy	+/- 0.3 Degrees Centigrade

## Dimensions



## Thermistor Resistance Characteristics

Temp	Ohms	Temp	Ohms	Temp	Ohms	Temp	Ohms	Temp	Ohms	Temp	Ohms
10.00	5454	14.00	4970	18.00	4565	22.00	4222	26.00	3932	30.00	3684
11.00	5324	15.00	4862	19.00	4474	23.00	4145	27.00	3866	31.00	3628
12.00	5201	16.00	4759	20.00	4387	24.00	4071	28.00	3803	32.00	3574
13.00	5083	17.00	4660	21.00	4303	25.00	4000	29.00	3742	33.00	3522

HTC5.P6.08052008

# Other HEVAC Quality Products

## HEVAC CONTROLS

### ***SENSORS***

- AVERAGING ROOM SENSORS
- DUCT SENSORS
- PIPE SENSORS
- ROOM SENSORS WITH LCD DISPLAY
- REMOTE SETPOINT ADJUSTERS
- ROOM SENSORS WITH VARIOUS SWITCH FUNCTIONS

### ***HTC ANALOGUE CONTROLLERS with the following features***

- DUAL SUPPLY VOLTAGE 24 VOLT OR 240 VOLTS AC
- 0 –10 VDC ECONOMY CYCLE OUTPUTS
- COMPARATORS EITHER ON/OFF OR MODULATING
- 0-10 VDC MODULATING CHILL WATER & HOT WATER OUTPUTS
- AUXILIARY ELECTRIC ELEMENT STAGES
- TRIPLE COMPRESSOR HEAT PUMP MODELS
- ON/OFF ECONOMY CYCLE OUTPUTS

### ***RTC ELECTRONIC ROOM THERMOSTATS with the following features***

- DUAL SUPPLY VOLTAGE 24 VOLT OR 240 VOLTS AC
- 5 AMP (Resistive) POTENTIAL FREE RELAY CONTACTS
- L.E.D INDICATION OF ALL OUTPUTS
- CONCEALED OR EXPOSED SETPOINT ADJUSTMENT

### ***HHC HUMIDITY CONTROLLER with the following features***

- 0 –10 VDC HUMIDIFICATION OUTPUT
- 0 –10 VDC DE-HUMIDIFICATION OUTPUT
- ON/OFF HUMIDIFICATION OUTPUT
- ON/OFF DE- HUMIDIFICATION OUTPUT
- DC POWER SUPPLY FOR HUMIDITY SENSOR

### ***HDT-6 MULTISTAGE DELAY ON TIMER with the following features***

- DUAL SUPPLY VOLTAGE 24 VOLT OR 240 VOLT
- SEVEN USER ADJUSTABLE DELAY SETTINGS
- TEST FACILITY

### ***LT-SERIES LAMP TEST MODULES***

***IF YOU HAVE A SPECIFIC REQUIREMENT OR REQUIRE FURTHER TECHNICAL ASSISTANCE PLEASE CONTACT OUR FRIENDLY SALES STAFF.***

***Phone: (03) 9562-7888***

***Fax: (03) 9562-7835***

***Email: sales@hevac.com.au***

***Web: www.hevac.com.au***

