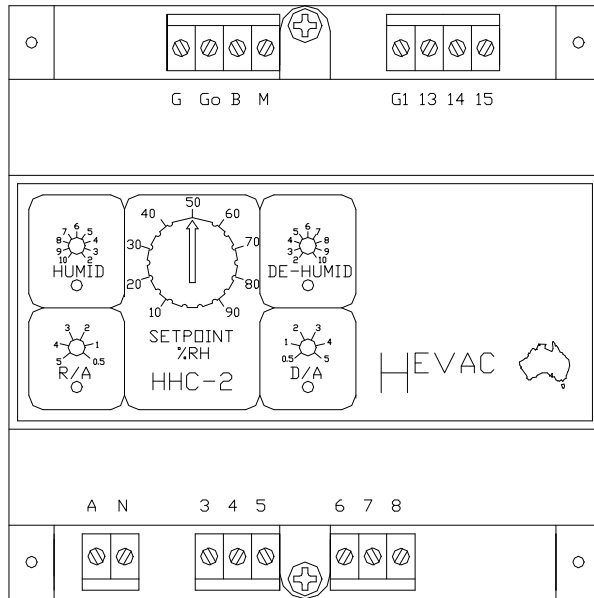


**HHC SERIES**



Dual Voltage  
Enabled Controller ®

**HHC- 2  
HUMIDITY  
CONTROLLER**



*The **HHC-2** controller is used for the control of Humidifying and Dehumidifying equipment.*

*It has a 0-10VDC direct acting output and a 0-10VDC reverse acting signal as well as Humidifying and Dehumidifying ON/OFF relays.*

*The **HHC-2** uses a two wire 4-20 mA type Humidity Sensor and derives its power supply for this sensor from terminals G1 & B.*

*Switch on points for all outputs are fully adjustable on the controller fascia.*

**Features**

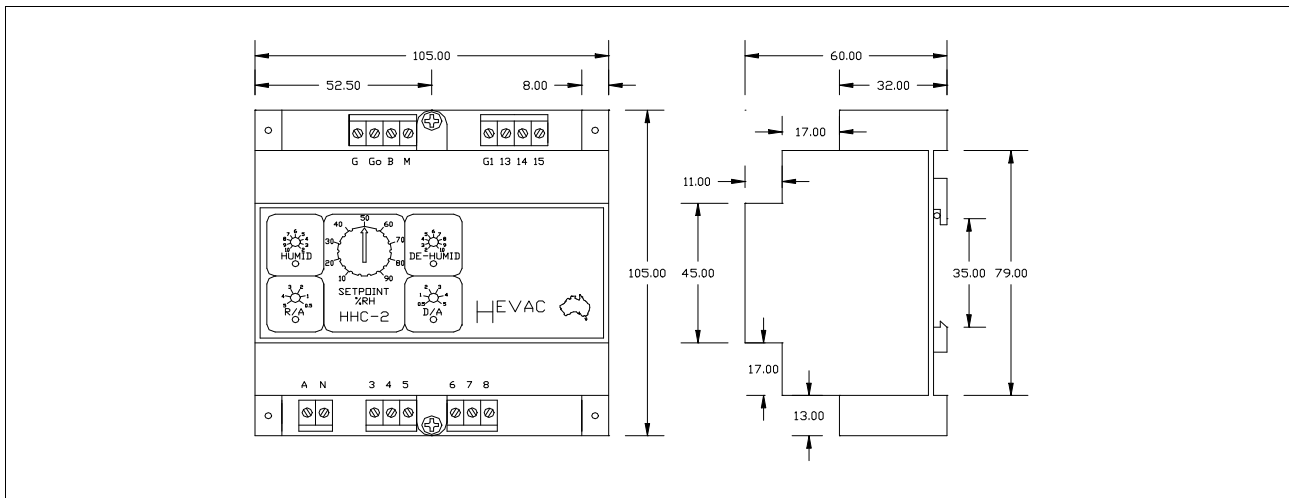
- Australian made and designed.
- Power Supply can be either 24v or 240v A.C
- 10 AMP (resistive) Potential free relay contacts.
- L.E.D Indication of all outputs.
- Dehumid & Humid 0-10 VDC Outputs.
- Mounts in most M.C.B enclosures.
- Built in 12VDC power supply for Humidity Sensor.

## HHC-2 Technical Specifications

Power supply	24VAC or 240VAC
Power consumption 240 volts	7 VA
Power consumption 24 volts	1 VA
Supply Voltage for Humidity Sensor (Terminal G1)	12 Volts DC
Humid and De-humid modulating outputs	0-10 VDC
Humid and De-humid Proportional Band	5% RH
Humid and De-humid relay outputs	240VAC 10 amp resistive, 3 amp inductive
Humidity range	10 to 90 % RH
Switching differential for Relay Outputs	5% RH
R/A & D/A start point adjustment range	0.5 to 5 % RH
Relay stage start point adjustment range	2 to 10 % RH
Output indication	Green LED for Dehumidification Red LED for Humidification
Intensity of R/A & D/A LED'S	Varies with the Signal Output

## Dimensions

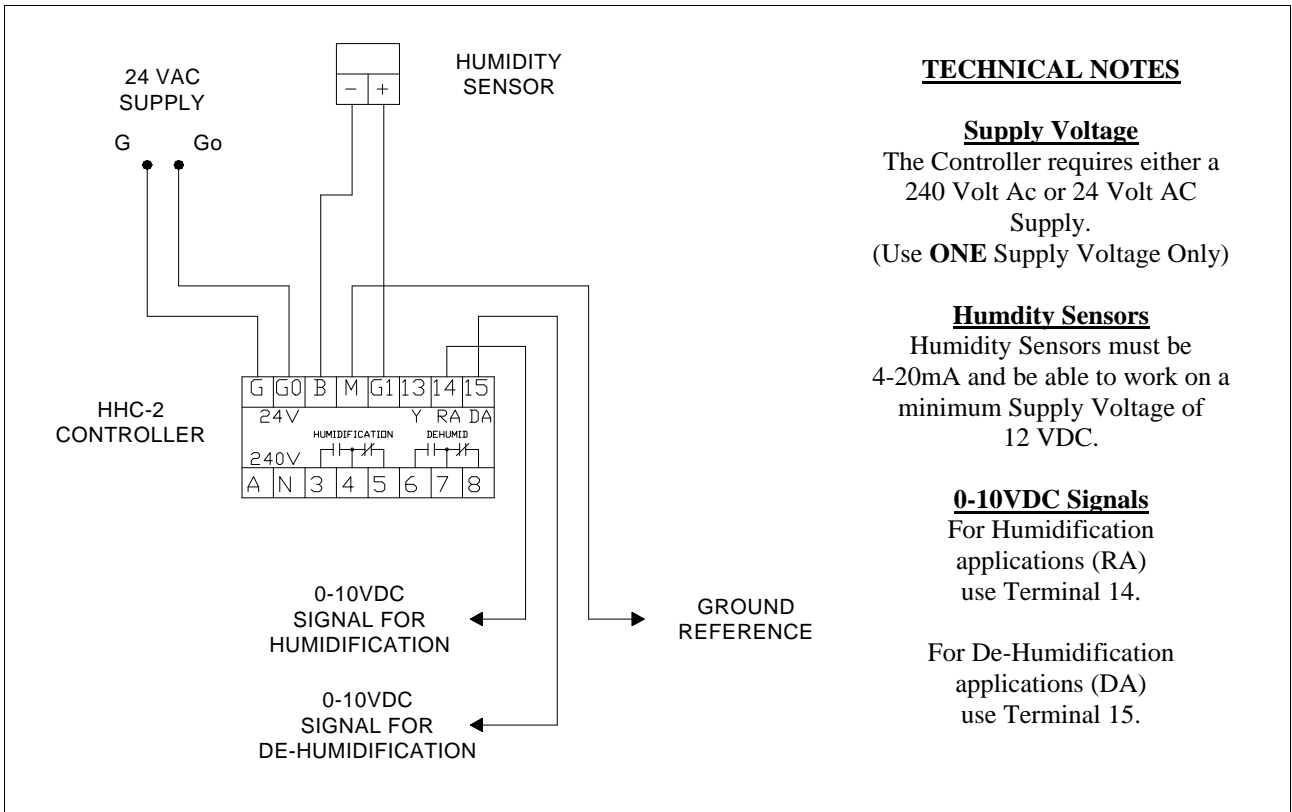
ALL DIMENSIONS IN MILLIMETRES



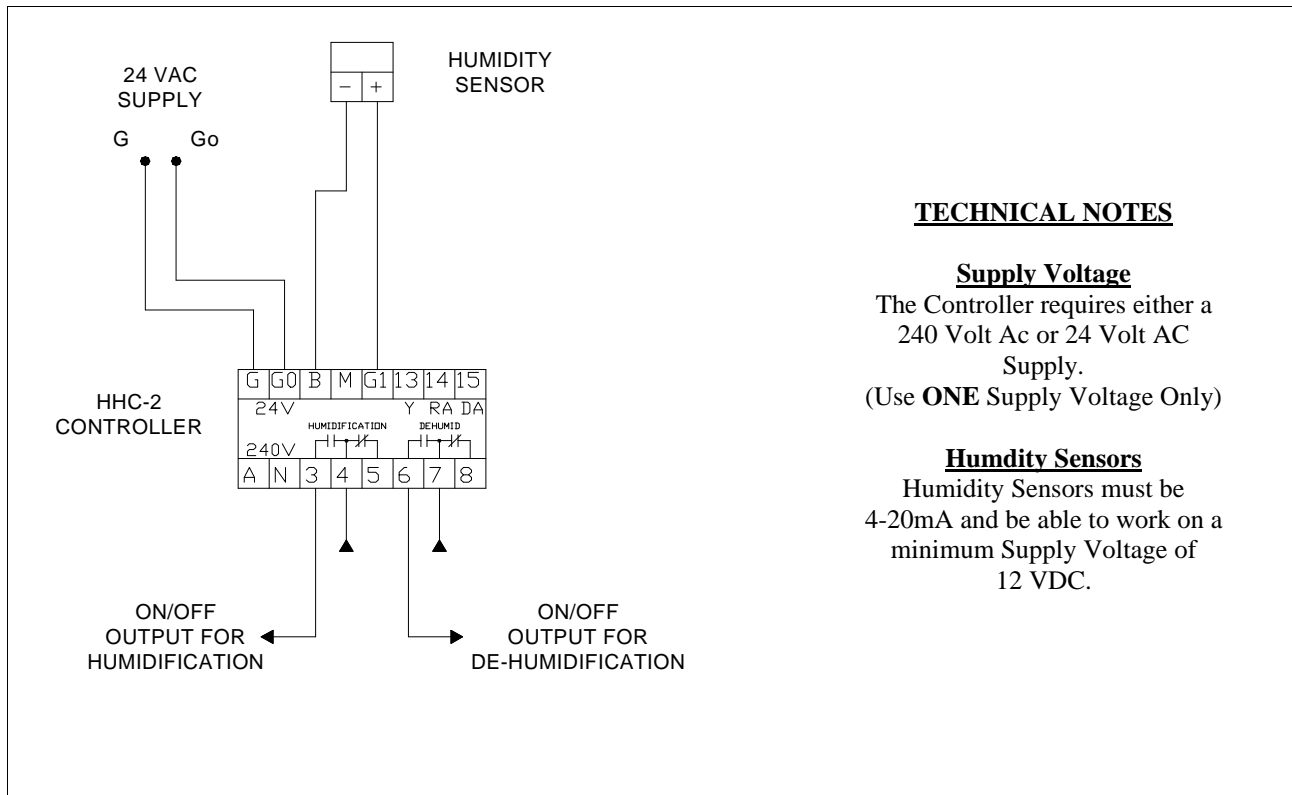
## Terminal Designations

<b>G</b>	24 VOLT AC SUPPLY ACTIVE	<b>A &amp; N</b>	240 VOLT AC SUPPLY
<b>Go</b>	24 VOLT AC SUPPLY GROUND REFERENCE	<b>3</b>	HUMIDIFICATION RELAY OUTPUT
<b>B</b>	SENSOR INPUT	<b>4</b>	HUMIDIFICATION RELAY COMMON INPUT
<b>M</b>	SIGNAL GROUND	<b>5</b>	NORMALLY CLOSED HUMID RELAY CONTACT
<b>G1</b>	SENSOR DC POSITIVE SUPPLY (12VDC)	<b>6</b>	DEHUMIDIFICATION RELAY OUTPUT
<b>13</b>	Y SIGNAL	<b>7</b>	DEHUMIDIFICATION RELAY COMMON INPUT
<b>14</b>	REVERSE ACTING 0-10VDC OUTPUT (HUMID)	<b>8</b>	NORMALLY CLOSED DEHUMID RELAY CONTACT
<b>15</b>	DIRECT ACTING 0-10VDC OUTPUT (DEHUMID)		

## HHC-2 using 0-10VDC Humidification or De-Humidification Signal



## HHC-2 using On/Off Humidification or De-Humidification Relay Outputs



# Other HEVAC Quality Products

## HEVAC CONTROLS

### ***SENSORS***

- AVERAGING ROOM SENSORS
- DUCT SENSORS
- PIPE SENSORS
- ROOM SENSORS WITH LCD DISPLAY
- REMOTE SETPOINT ADJUSTERS
- ROOM SENSORS WITH VARIOUS SWITCH FUNCTIONS

### ***HTC ANALOGUE CONTROLLERS with the following features***

- DUAL SUPPLY VOLTAGE 24 VOLT OR 240 VOLTS AC
- 0 –10 VDC ECONOMY CYCLE OUTPUTS
- COMPARATORS EITHER ON/OFF OR MODULATING
- 0-10 VDC MODULATING CHILL WATER & HOT WATER OUTPUTS
- AUXILIARY ELECTRIC ELEMENT STAGES
- TRIPLE COMPRESSOR HEAT PUMP MODELS
- ON/OFF ECONOMY CYCLE OUTPUTS

### ***RTC ELECTRONIC ROOM THERMOSTATS with the following features***

- DUAL SUPPLY VOLTAGE 24 VOLT OR 240 VOLTS AC
- 5 AMP (Resistive) POTENTIAL FREE RELAY CONTACTS
- L.E.D INDICATION OF ALL OUTPUTS
- CONCEALED OR EXPOSED SETPOINT ADJUSTMENT

### ***HHC HUMIDITY CONTROLLER with the following features***

- 0 –10 VDC HUMIDIFICATION OUTPUT
- 0 –10 VDC DE-HUMIDIFICATION OUTPUT
- ON/OFF HUMIDIFICATION OUTPUT
- ON/OFF DE- HUMIDIFICATION OUTPUT
- DC POWER SUPPLY FOR HUMIDITY SENSOR

### ***HDT-6 MULTISTAGE DELAY ON TIMER with the following features***

- DUAL SUPPLY VOLTAGE 24 VOLT OR 240 VOLT
- SEVEN USER ADJUSTABLE DELAY SETTINGS
- TEST FACILITY

### ***LT-SERIES LAMP TEST MODULES***

***IF YOU HAVE A SPECIFIC REQUIREMENT OR REQUIRE FURTHER TECHNICAL ASSISTANCE PLEASE CONTACT OUR FRIENDLY SALES STAFF.***

***Phone: (03) 9562-7888***

***Fax: (03) 9562-7835***

***Email: sales@hevac.com.au***

***Web: www.hevac.com.au***