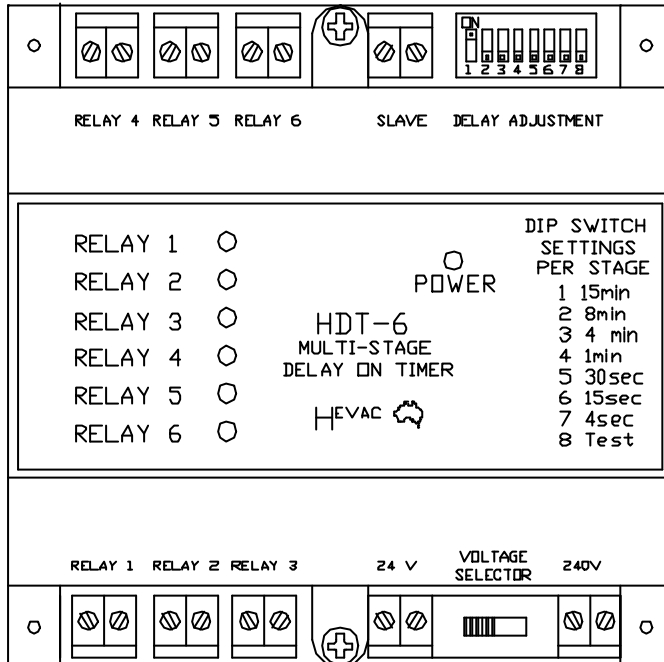


HDT SERIES

HDT- 6

MULTISTAGE DELAY ON TIMER



*The **HDT-6** delay timer offers six stages of delayed start for air-conditioning units and any other load staging application.*

Time delays are user adjustable via a set of dip switches offering time delays from 15 minutes down to 4 seconds.

There is also a test position which enables the user to quickly time out all the stages.

*The **HDT-6** delay timer is ideally suited for DIN rail mounting in a switchboard, or directly inside the A/C unit if required.*

Features

- Australian made and designed.
- Dual supply voltage 24v or 240v A.C (User Selectable)
- Six off 10 AMP (resistive) Potential free relay contacts.
- L.E.D Indication of all outputs and timing status.
- Seven user adjustable delay settings plus a TEST position.
- Mounts in most M.C.B enclosures.
- Slave output for starting another HDT-6 delay timer.

HEAD OFFICE:

54 Howleys Road,
Notting Hill, Vic. 3168
Phone: (03) 9562 7888
Fax: (03) 9562 7835

VISIT OUR WEB SITE AT

www.hevac.com.au

EMAIL

SALES: sales@hevac.com.au

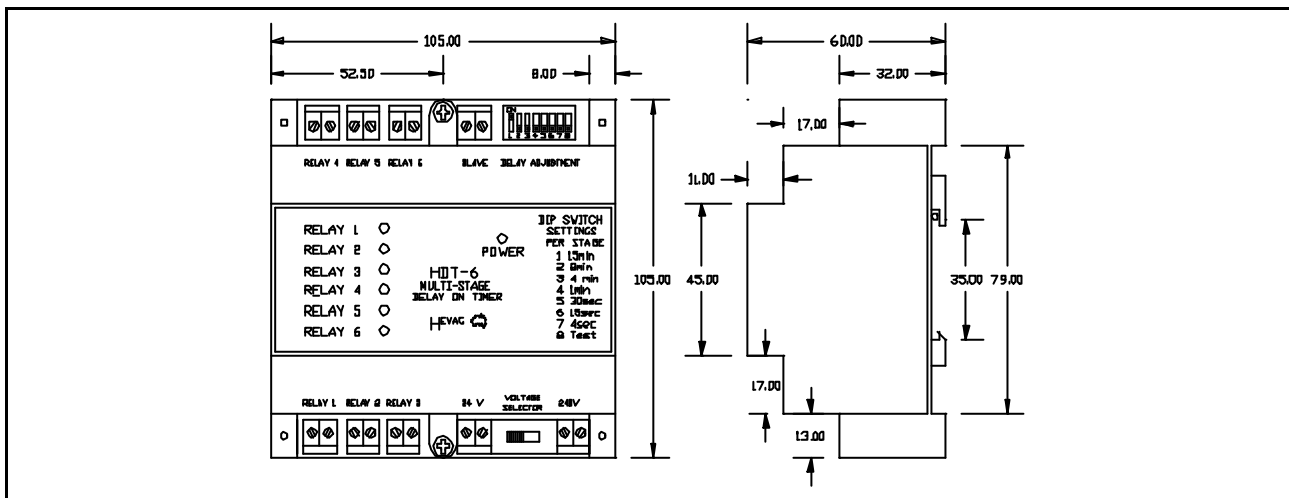
TECHNICAL: technical@hevac.com.au

HDT-6 Technical Specifications

Power supply (User Selectable)	24VAC or 240VAC
Power consumption 240 volts	7 VA
Power consumption 24 volts	1 VA
Output relay contact ratings	240VAC 10 amp resistive, 3 amp inductive
Dip switch settings and Timing Ranges	Position 1-15 Minutes Position 5-30 Seconds Position 2-08 Minutes Position 6-15 Seconds Position 3-04 Minutes Position 7-04 Seconds Position 4-01 Minutes Position 8-TEST
Slave relay output	Initiates when relay number six times out
Output indication	Green LED for Power on status Red Flashing LED relay timing out LED Hard on, relay timed out
Mounting method	35mm DIN rail (Not supplied)
Power Failure status	All time delays reset and start again when power supply resumes

Dimensions

ALL DIMENSIONS IN MILLIMETERS



Terminal Designations

RELAY 4	NORMALLY OPEN SET OF CONTACTS FOR STAGE FOUR
RELAY 5	NORMALLY OPEN SET OF CONTACTS FOR STAGE FIVE
RELAY 6	NORMALLY OPEN SET OF CONTACTS FOR STAGE SIX
SLAVE	NORMALLY OPEN SET OF CONTACTS ENERGISES WHEN STAGE SIX TIMES OUT
RELAY 1	NORMALLY OPEN SET OF CONTACTS FOR STAGE ONE
RELAY 2	NORMALLY OPEN SET OF CONTACTS FOR STAGE TWO
RELAY 3	NORMALLY OPEN SET OF CONTACTS FOR STAGE THREE
24V	24 VOLT AC SUPPLY
240V	240 VOLT AC SUPPLY