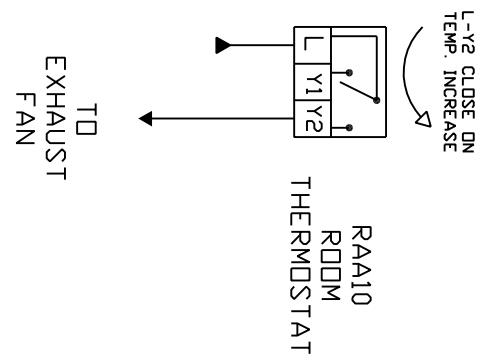
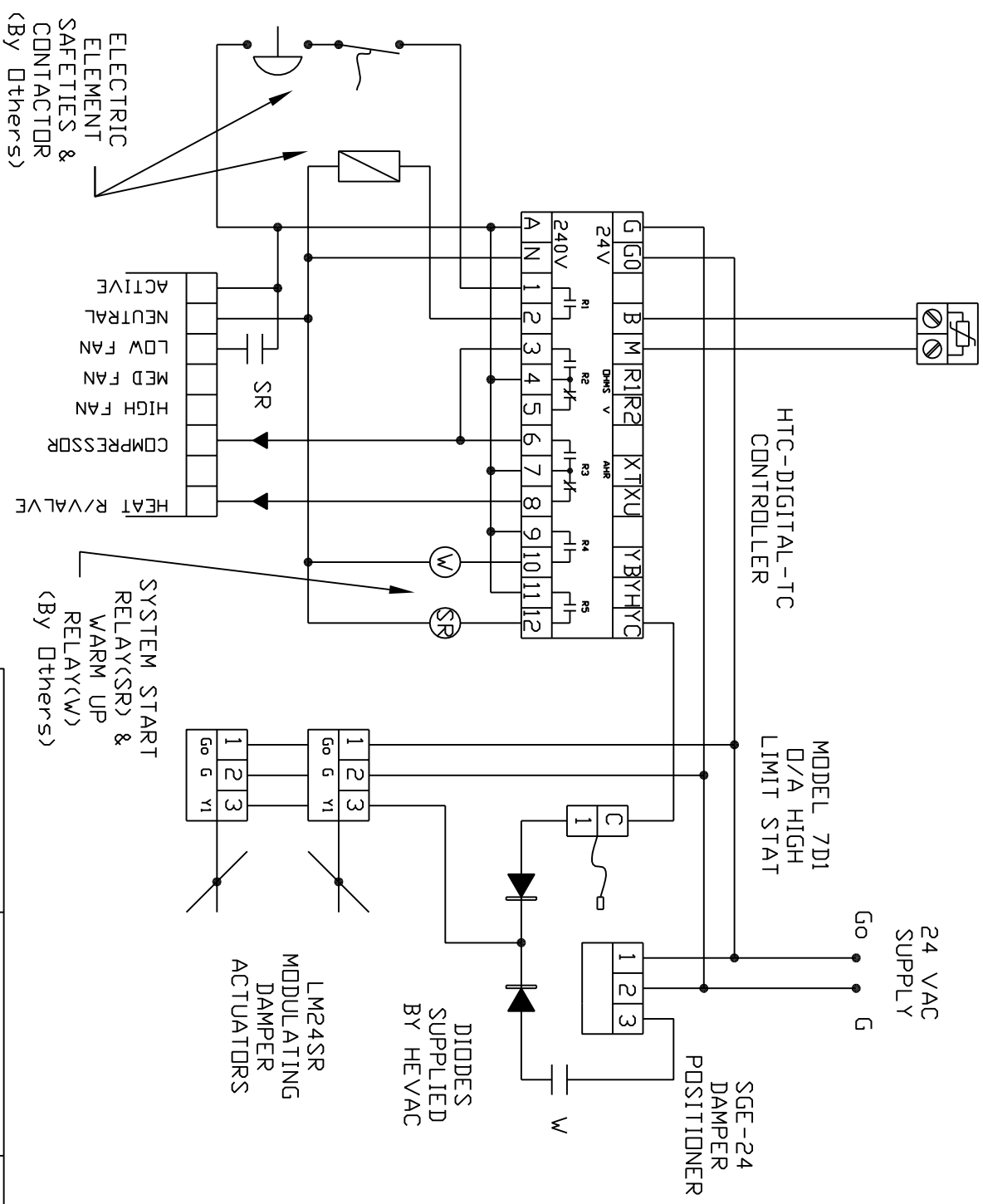


SRT-D ROOM
SENSOR

THIS DETAIL IS TYPICAL FOR FCU-1

UPS ROOM EXHAUST
THERMOSTAT



ELECTRIC
ELEMENT
SAFETIES &
CONTACTOR
(By Others)

ACTIVE
NEUTRAL
LOW FAN
MED FAN
HIGH FAN
COMPRESSOR
HEAT R/VALVE

SYSTEM START
RELAY(SR) &
WARM UP
RELAY(W)
(By Others)

LM24SR
MODULATING
DAMPER
ACTUATORS

REF: GP-2251	DATE: 15-04-2003	PROJECT REFERENCE: BUNNINGS-BAYSWATER
DRAWN: LDU MITSY	PAGE: 1 OF 2	CONTRACTOR: NEPEAN AIRCONDITIONING