

SRT-D ROOM SENSORS  
(6 Dfff)

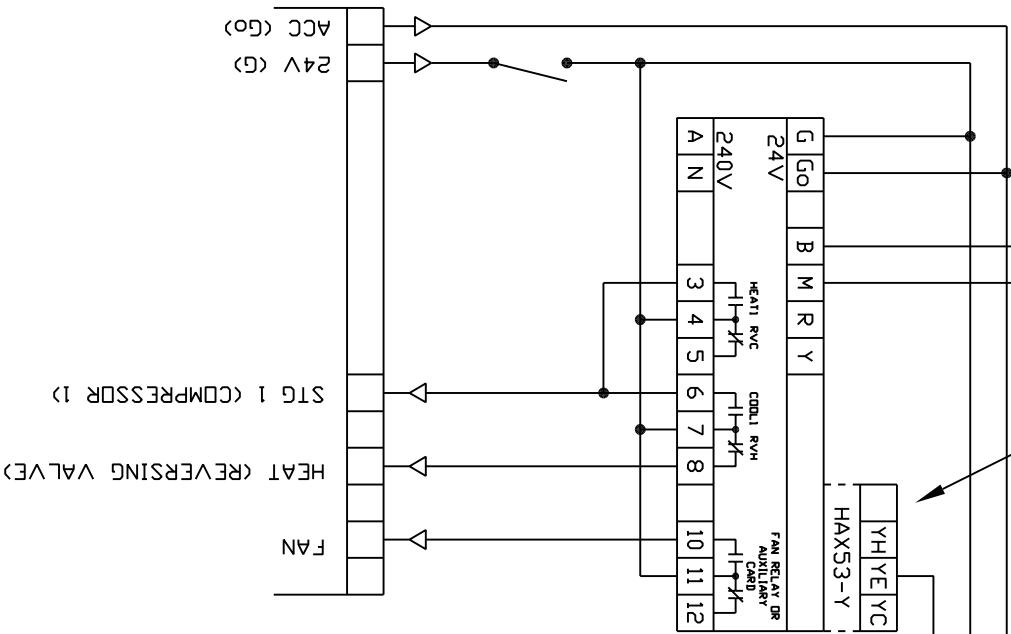
HAX-53Y PLUG  
IN OPTION CARDS  
(6 Dfff)

7D1 SERIES  
OUTSIDE AIR  
LOCKOUT  
THERMOSTATS  
(6 Dfff)

RSC-2 ROOM  
SENSOR/CONTROLLERS  
(3 Dfff)

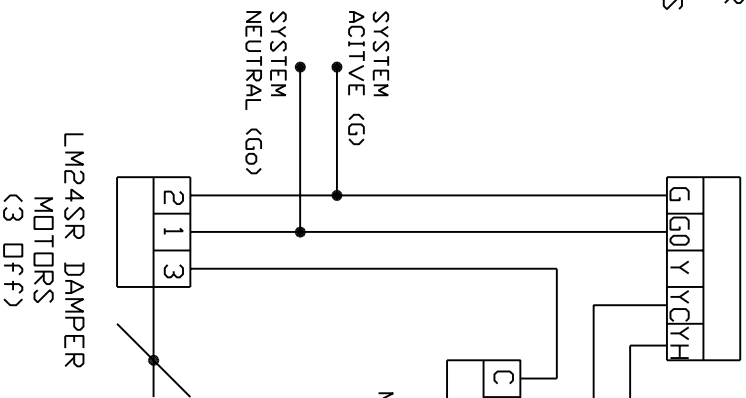
HTC-3  
CONTROLLERS  
(6 Dfff)

SEH62.1 TIME  
SWITCH CONTACT  
(By Others)



LM24SR DAMPER  
MOTORS  
(18 Dfff)

7D1 SERIES DUCT  
MOUNTED CHANGEDOVER  
DUCT THERMOSTATS  
(3 Dfff)



STG 1 (COMPRESSOR 1)

HEAT (REVERSING VALVE)

FAN

THE DETAIL ABOVE IS TYPICAL FOR  
A/C UNITS 1 TO 6

THE DETAIL ABOVE IS TYPICAL FOR  
VAV ZONES 1 TO 3

REF: GP-2311

DATE: 01-12-2003

PAGE: 1 OF 1

PROJECT REFERENCE: RINGWOOD CIVIC CENTRE

CONTRACTOR: N.A.C AIRCONDITIONING

DRAWN: LDU MITSY