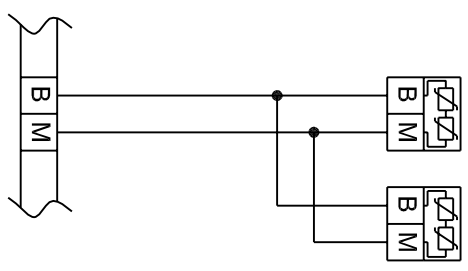
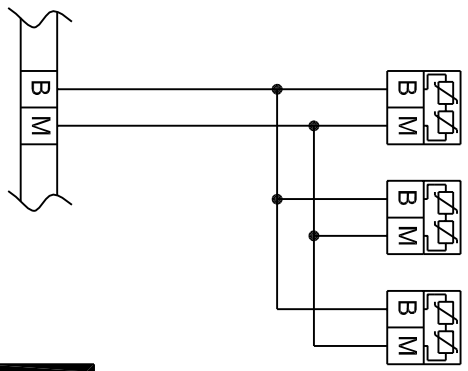


# SUITS ANALOGUE CONTROLLERS ONLY

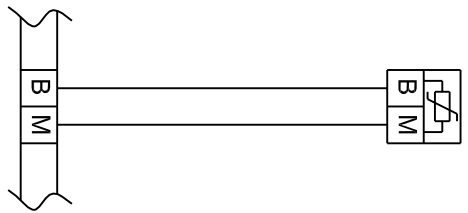
TYPICAL CONNECTION  
DETAIL FOR MODELS:  
SRTA-H  
SRTA-HLCD



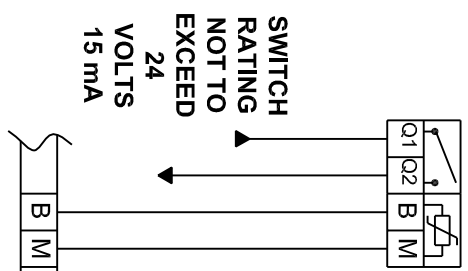
TYPICAL CONNECTION  
DETAIL FOR MODEL:  
SRTAAA-H



TYPICAL CONNECTION  
DETAIL FOR MODELS:  
SRT-H  
SRT-HLCD  
SRT-HSP  
SRT-HSPLCD  
SDT-H



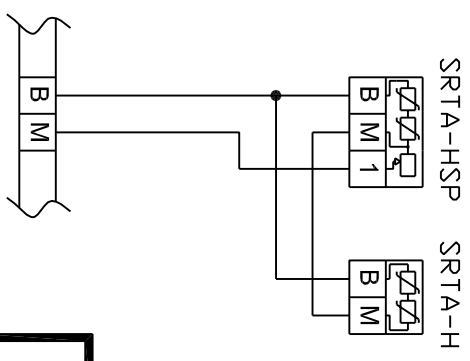
TYPICAL CONNECTION  
DETAIL FOR MODELS:  
SRT-HSW  
SRT-HSWLCD  
SRT-HSPSW  
SRT-HSPSWLCD



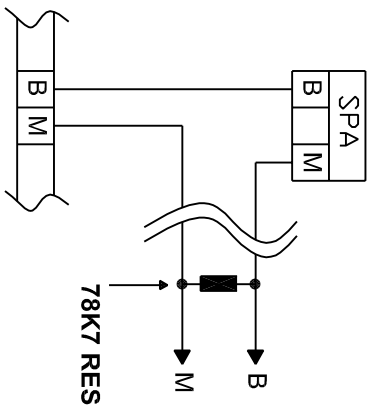
**PLEASE NOTE:**

SWITCH  
RATING  
NOT TO  
EXCEED  
24  
VOLTS  
15 mA

TYPICAL CONNECTION  
DETAIL FOR MODELS:  
SRTA-HSP & SRTA-H



TYPICAL CONNECTION  
DETAIL FOR MODEL:  
SPA-SETPOINT ADJUSTER



SUITS MODELS:  
SRT-H  
SRT-HLCD  
SRT-HSW  
SDT-H  
SRTAAA-H  
SRTA-H  
SRTA-HLCD

TO SENSOR FIELD  
WIRING AS  
INDICATED FOR  
THE VARIOUS  
OTHER MODELS  
ABOVE

78K7 RESISTOR TO BE FITTED

- 1: THE TICKED  SCHEMATIC DENOTES THE DRAWING TO BE USED FOR THIS PRODUCT
- 2: HEVAC RECOMMENDS THAT ALL SENSORS BE WIRED USING SCREENED CABLE EARTHED AT THE CONTROLLER END ONLY!
- 3: WHEN USING EXPOSED SETPOINT ADJUSTERS THE CONTROLLER MUST BE SET TO 22° CELSIUS