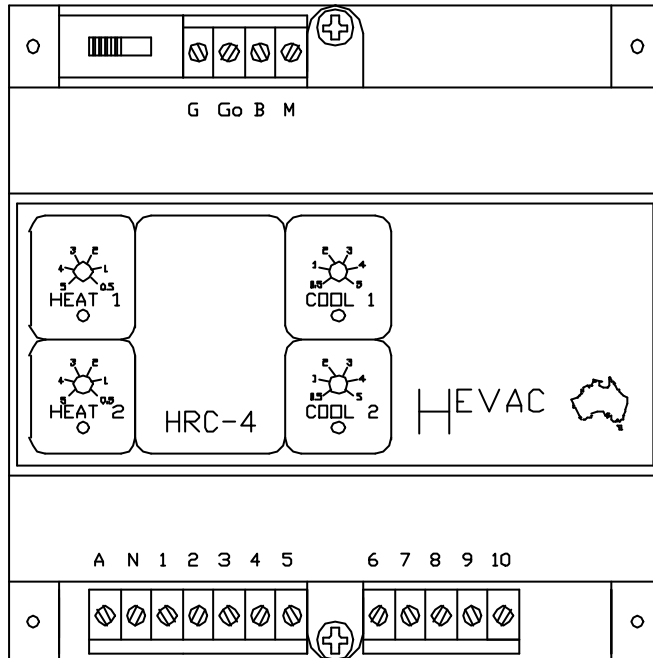


HRC SERIES

HRC-4

2 HEAT/2 COOL STAGING RELAY



*The **HRC-4** staging relay is intended for use with the slave output on the HTC analogue range of controllers.*

This module allows for two extra Heating and Cooling stages.

All output relays are voltage free, permitting use on either 240 V or 24 Volt circuitry.

Stage switch on points are individually adjustable with their ON/OFF status displayed via LED indicators.

Features

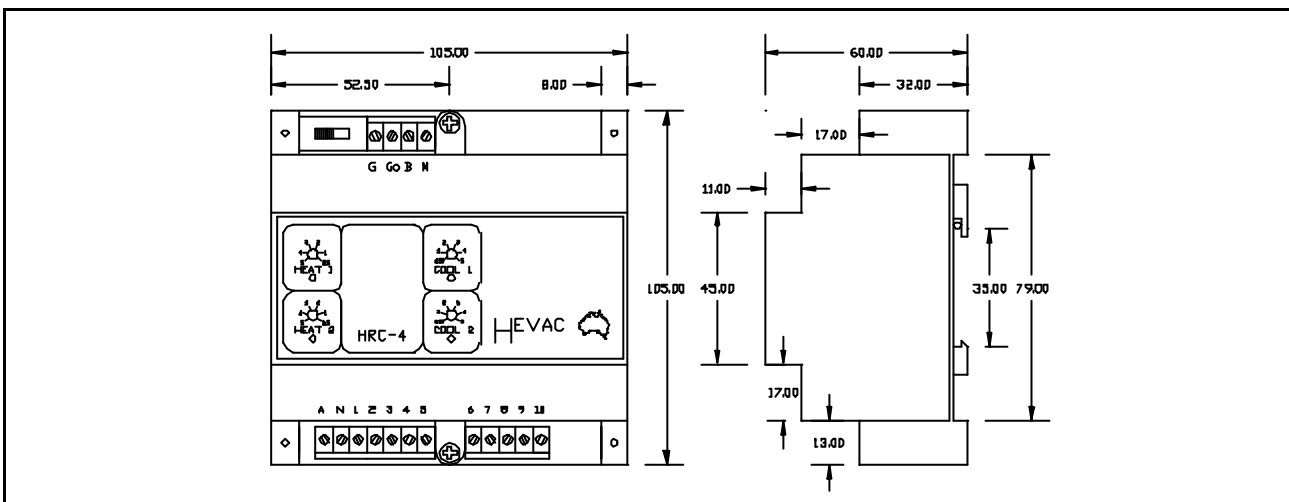
- Australian made and designed.
- Dual supply voltage 24v or 240v A.C (User Selectable)
- 10 AMP (resistive) Potential free relay contacts.
- L.E.D Indication of all outputs.
- Adjustable stage start on points for all relays.
- Mounts in most M.C.B enclosures.
- Compatible with all the HEVAC HTC analogue range.

HRC-4 Technical Specifications

Power supply (User Selectable)	24VAC or 240VAC
Power consumption 240 volts	7 VA
Power consumption 24 volts	1 VA
Heating and Cooling relay outputs	240VAC 10 amp resistive 3 amp inductive
Input terminal voltage range	0-10VDC
Switching differential for STAGE 1	0.3 Degrees Centigrade
Switching differential for STAGE 2	0.7 Degrees Centigrade
Stage start point adjustment range	0.5 to 5.0 Degrees Centigrade
Output indication	Green LED for Cooling Red LED for Heating
Mounting method	35mm DIN rail (Not supplied)

Dimensions

ALL DIMENSIONS IN MILLIMETRES



Terminal Designations

G	24 VOLT AC SUPPLY ACTIVE	3	HEATING STAGE 1 OUTPUT
Go	24 VOLT AC SUPPLY GROUND REFERENCE	4	(HEATING STAGE 1 & R/V FOR COOL) COMMON
B	0-10VDC INPUT	5	REVERSING VALVE FOR COOLING OUTPUT
M	SIGNAL GROUND	6	COOLING STAGE 1 OUTPUT
A & N	240 VOLT AC SUPPLY	7	(COOLING STAGE 1 & R/V FOR HEAT) COMMON
1	HEAT STAGE 2 COMMON	8	REVERSING VALVE FOR HEATING OUTPUT
2	HEATING STAGE 2 OUTPUT	9	COOLING STAGE 2 COMMON
		10	COOLING STAGE 2 OUTPUT

**USE ONLY ONE SUPPLY
VOLTAGE
EITHER 240V OR 24V A.C**