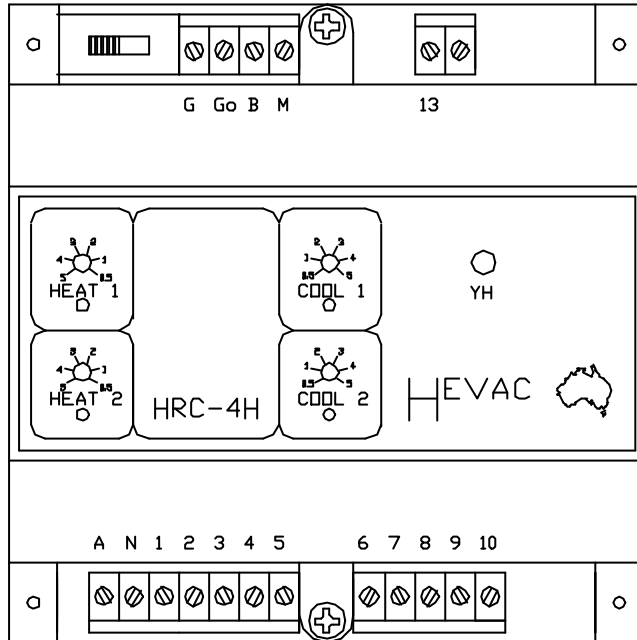


HRC SERIES



HRC- 4H

2 HEAT/2 COOL STAGING RELAY with MODULATING HEATING VALVE OUTPUT

*The **HRC-4H** staging relay is intended for use with the slave output on the HTC analogue range of controllers.*

This module allows for two extra Heating and Cooling stages, and also incorporates an 0-10 VDC output for a Heating hot water valve or electric element current valve.

*The **HRC-4H** controller is ideally suited for DIN rail mounting in a switchboard, or directly inside the A/C unit if required.*

Features

- Australian made and designed.
- Dual supply voltage 24v or 240v A.C (User Selectable)
- 10 AMP (resistive) Potential free relay contacts.
- L.E.D Indication of all outputs.
- Adjustable stage start on points for all relays.
- Compatible with all the HEVAC HTC analogue range.
- Modulating 0-10 VDC Heating Valve Output.

HEAD OFFICE:

54 Howleys Road,
Notting Hill, Vic. 3168
Phone: (03) 9562 7888
Fax: (03) 9562 7835

VISIT OUR WEB SITE AT

www.hevac.com.au

EMAIL

SALES: sales@hevac.com.au

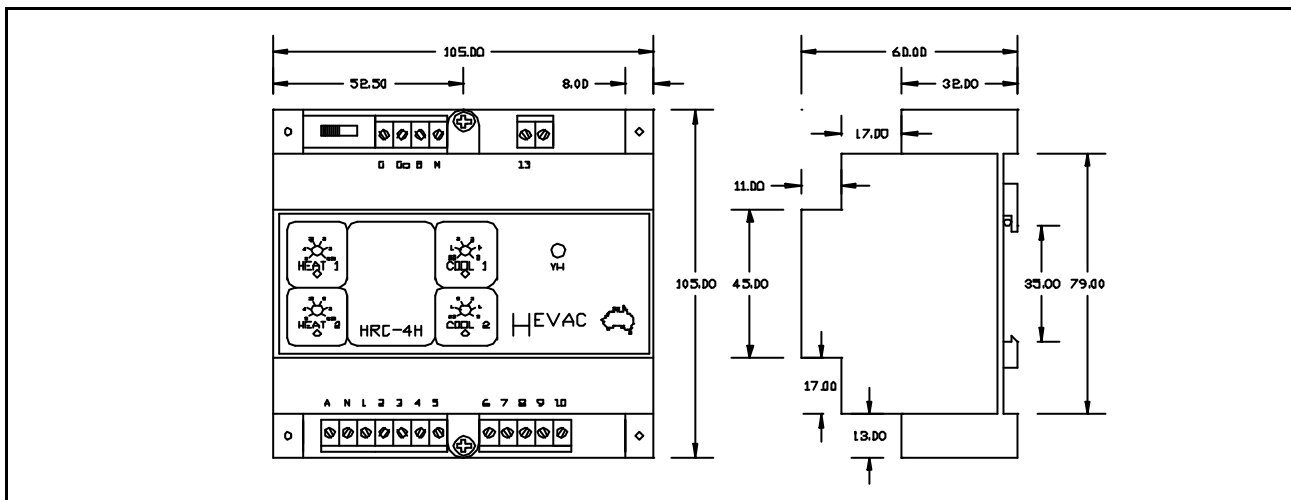
TECHNICAL: technical@hevac.com.au

HRC-4H Technical Specifications

Power supply (User Selectable)	24VAC or 240VAC
Power consumption 240 volts	7 VA
Power consumption 24 volts	1 VA
Heating Valve Output	0-10 VDC from Setpoint
Heating Valve Proportional Band	1 Degrees Celsius
Heating and Cooling relay outputs	240VAC 10 amp resistive, 3 amp inductive
Input terminal voltage range	0-10VDC
Switching differential for STAGE 1	0.3 Degrees Centigrade
Switching differential for STAGE 2	0.7 Degrees Centigrade
Stage start point adjustment range	0.5 to 5.0 Degrees Centigrade
Output indication	Green LED for Cooling Red LED for Heating
(Intensity of LED varies with the Signal Output)	Red LED for Heating Valve Output
Mounting method	35mm DIN rail (Not supplied)

Dimensions

ALL DIMENSIONS IN MILLIMETRES



Terminal Designations

G	24 VOLT AC SUPPLY ACTIVE	3	HEATING STAGE 1 OUTPUT
Go	24 VOLT AC SUPPLY GROUND REFERENCE	4	(HEATING STAGE 1 & R/V FOR COOL) COMMON
B	0-10VDC INPUT	5	REVERSING VALVE FOR COOLING OUTPUT
M	SIGNAL GROUND	6	COOLING STAGE 1 OUTPUT
14	0-10VDC HEATING VALVE OUTPUT	7	(COOLING STAGE 1 & R/V FOR HEAT) COMMON
A & N	240 VOLT AC SUPPLY	8	REVERSING VALVE FOR HEATING OUTPUT
1	HEAT STAGE 2 COMMON	9	COOLING STAGE 2 COMMON
2	HEATING STAGE 2 OUTPUT	10	COOLING STAGE 2 OUTPUT